



Level



Pressure



Flow



Temperature

Liquid
Analysis

Registration

Systems
Components

Services



Solutions

Technical Information

Silopilot T FMM20

Electromechanical Level System



Application

The Silopilot T FMM20 is an electromechanical level system for light bulk solids such as wheat, plastic granules and powder. Depending on the sensing weight, the level can be measured in bunkers or silos with dusty, fine-grain or coarse-grain bulk solids.

Your benefits

- Measurement of levels up to 32 m, regardless of bulk solid properties
- Accuracy ± 2.5 cm or ± 1 pulse, thus measured level recorded precisely
- Process temperatures up to 150°C possible
- Compact transmitter with 0/4 - 20 mA current output and additional freely programmable signal outputs (e.g. counting pulses)
- Easy menu-guided local operation via four-line plain text display
- Fully electronic digital minimum fail-safe mode, thus no movement into silo outlet, conveyor elements not affected
- Supply voltage 90 - 253 VAC (wide-range voltage power unit) as well as 24 VDC, depending on version selected
- Optional version with "dust ignition-proof" certificate for use in dust incensive hazard areas, Zones 20, 21 and 22 (measuring environment) or Zones 21 and 22 (instrument environment), Category 1/2D.

Endress+Hauser 

People for Process Automation

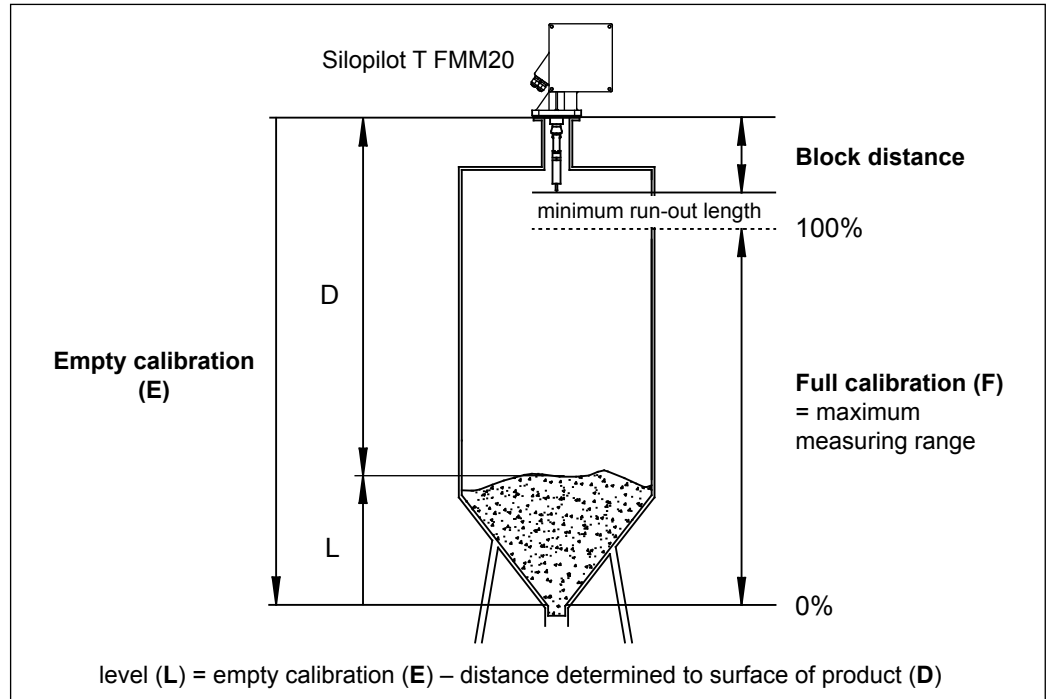
Table of contents

Function and system design	3	Safety instructions	17
Measuring principle	3	Features of the ATEX version	17
Measuring system	4	Designated use	17
Device versions	4	Installation instructions	17
Alternative level measuring device FMM50	4	Ordering information	18
Input	5	Silopilot T FMM20	18
Measured variable	5	Information on product overview	19
Measuring cycle	5	User-specific settings	19
Block distance	5	Technical data	21
Measuring range	5	Mechanical	21
Measuring error	5	Electrical	22
Inputs	5	Certificates and approvals	22
Output	6	CE mark	22
Output signal	6	Other standards and guidelines	22
Signal on alarm	6	Accessories	23
Power supply	7	Documentation	23
Supply voltage	7	Operating Instructions	23
Cable entry	7	Safety Instructions	23
Terminal assignment	7		
Electrical connection	8		
Supply voltage	8		
0/4 - 20 mA current output	8		
Relay	8		
Signal inputs	8		
Optocoupler output (optional)	8		
Operating conditions	9		
Sensing weight	9		
Mounting location	9		
Installation preparation	10		
Mounting the sensing weight	10		
Mounting the Silopilot	11		
Environment	11		
Process	11		
Mechanical construction	12		
Housing dimensions (with standard wiper 230 mm)	12		
Dimensions of process connection	12		
Dimensions extended wiper	13		
Dimensions of optional sight-glass and start button	13		
Sensing weights	14		
Selection recommendation	14		
Normal weight	14		
Umbrella weight	14		
Bag weight	14		
Controls and instrumentation	15		
Control concept	15		
Display elements	15		
Operating elements	15		
Local operation	16		

Function and system design

Measuring principle

A measuring tape, from which a sensing element is suspended, is lowered into the bunker or silo. When the weight meets the surface of the product, the tensile force on the measuring tape decreases and this is detected by the electronics of the Silopilot.



Measured value formation

The measured value is output at the 0/4 - 20 mA current output. The sensing weight then returns to the end position whereby the measured value determined is retained until the next measurement.

The 0/4 - 20 mA current output signal corresponds to the level (L). When the device is delivered, the basic settings are preset to the maximum possible measuring range in accordance with the device version (see Ordering Information). Menu-guided operation via the four-line plain text display guarantees unproblematic and rapid adjustment to the container geometry in question. This adjustment must be made before the first time the instrument is started to avoid damage to the conveyor elements.

During the entire measurement procedure (moving the sensing weight up and down), the Silopilot can additionally emit pulses (relay output or optionally optocoupler output) in accordance with the length of the rolled out measuring tape. These pulses can be recorded by a process control system or an electromechanical counter.

Single measurements or periodic measurement procedures are possible. The measurement can thus be started manually (e.g. start button connected externally) or periodically (e.g. programmed function at Silopilot).

Highest measurable point

The highest measurable point is calculated from the block distance plus a minimum run-out length of 20 cm. This overall length must be taken into account when entering the maximum measuring range (**full calibration**).

The individual value of the block distance is preset when delivered and only has to be adjusted when the sensing weight is replaced, for example. The operating matrix provides a way of entering this information.

Measuring system The Silopilot T FMM20 is a compact device. It makes extensive inputs and outputs available. Please refer to the ordering information for details.

Device versions

"Dust ignition-proof" version

For use in areas which are hazardous due to combustible dusts of Zones 20, 21 and 22 (measuring environment) or Zones 21 and 22 (instrument environment), Category 1/2D.

Mechanical and electrical versions

- Ambient temperature:
 - 20°C to +60°C or -40°C to +60°C when using the self-regulating device heater (to -35°C for "dust ignition-proof" version)
 - The optional device heater is also recommended in the event of moisture in the container and ambient temperatures below 0°C.
- Process temperature:
 - 20°C to +70°C or
 - 20°C to +150°C (not for "dust ignition-proof" version)
- With two supply voltage ranges as standard:
 - 90 - 253 VAC, 50/60 Hz or 20 - 28 VDC
- Wiper:
 - Material: aluminum/steel or stainless steel (304)
- Optional:
 - Two additional relay outputs (standard: 2 relay outputs)
 - External start button on housing and sight-glass in housing cover
 - Extended climate class (with ambient temperature range from -20°C to +60°C)
 - Powder-coated housing (RAL 5012, cover RAL 7035)
 - Wiper extension aluminum/steel or stainless steel, 500 mm or 1000 mm
- Sensing weights:
 - A wide range of sensing weights are available depending on the application.
 - For details, please see the section in question.

Extended features of Silopilot M FMM50

Alternative level measuring device FMM50

- Higher motor traction power:
 - Max. 500 N, for heavy bulk solids such as cement, lime, gypsum, sand
- Large measuring range:
 - Max. 70 m
- Higher max. process temperature:
 - Up to 230°C
- Higher max. process pressure:
 - Up to 3 bar absolute
- Optionally 4 instead of 2 additional relay outputs
- Extended functionality such as
 - limit value formation
 - linearization or
 - current magnifier
- Larger selection of standard sensing weights such as
 - cage weight,
 - bell weight or
 - oval float

Please refer to Technical Information TI395F/97/en for details on the Silopilot M FMM50 level measuring device!

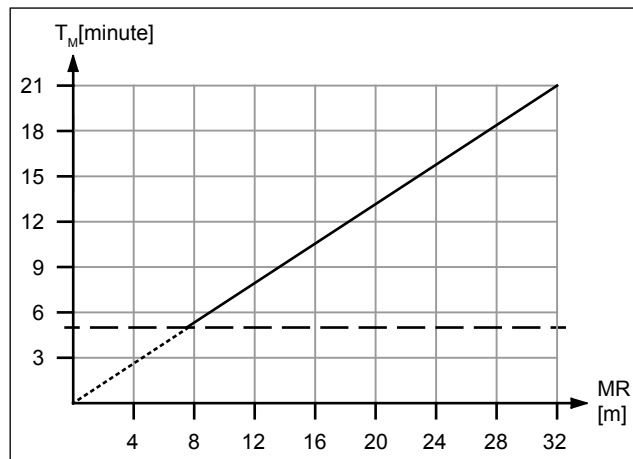
Input

Measured variable

The measured variable is the distance between the lower flange edge of the Silopilot minus a block distance (see figure "Measuring principle", page 3) and the product surface. The level is then calculated taking into account the calibration values entered, e.g. silo height. Alternatively, the distance to the surface of the product can also be output.

Measuring cycle

Please observe the minimum time (T_M) for one measuring cycle with the Silopilot T FMM20 according to the measuring range (MR). This minimum time must be taken into account in all types of measuring.



Disregarding this can lead to undue warming and result in failures. We recommend not to go below a time of 5 minutes for one measuring cycle, even with measuring ranges below 8 m.

Block distance

The block distance depends on the wiper used and the sensing weight:

Sensing weight	Wiper 230 mm	Wiper 500 mm	Wiper 1000 mm
B, C, D, E	0.72 m	1.02 m	1.52 m
G	1.22 m	1.52 m	2.02 m
N	0.72 m	1.02 m	1.52 m

Measuring range

- Max. 32 m

Measuring error

- Independent of the measuring range selected:
±2.5 cm or ±1 pulse

Inputs

Two inputs (active/passive) are available to operate the Silopilot externally:

- Active input:
 - NO contact
 - Connection of a control voltage from an external system
 - Input voltage range: 12 to 24 VDC
- Passive input:
 - NO contact
 - Connection of an external command unit, e.g. switch, key, relay contact
 - Contact load: max. 5 mW
- Start pulse length:
 - Min. 200 ms
- Optional:
 - Start button on device, can be operated externally
- Selectable functions of inputs:
 - Start measurement or lock measurement

Output

Output signal

- 0/4 - 20 mA current output, active
- 2 relay outputs (optional 4 relay outputs)
 - Contact load: 250 VAC, 6 A
 - Contact material: silver-cadmium-oxide, gold flashing
- Selectable relay functions:
 - **Counting pulses:**
Output pulses in accordance with tape length rolled out, e.g. for downstream control units
 - **Reset pulse:**
Pulse before every new measurement, e.g. to reset an external counter
 - **Running up:**
Display when running up tape, e.g. to hide counting pulses when running up tape
 - **Top position:**
Display when upper end position reached (end of measurement)
 - **Measuring:**
Displays an active measuring cycle, e.g. to lock a filling device to protect the Silopilot from being covered by medium
 - **Alarm:**
Display fault states output
 - **Service interval:**
Information on Silopilot maintenance
- Optocoupler output for counting pulse (optional when 4 relays are selected)

Signal on alarm

Breakdown information can be called up via the following interfaces:

- Local display:
 - Error symbol
 - Error code with plain text display
- Current output, state can be programmed:
 - Minimum: current value ≤ 3.6 mA (4 - 20 mA) or current value 0 mA (0 - 20 mA)
 - Maximum: maximum current value + 10% (≈ 22 mA)
- Relay outputs (alarm function)

Power supply

Supply voltage

- AC version
 - Voltage: 90 - 253 VAC, 50/60 Hz
 - Power consumption:
 - approx. 150 VA (device without heater)
 - approx. 170 VA (device with optional heater)
- DC version
 - Voltage: 20 - 28 VDC
 - Power consumption:
 - approx. 150 VA (device without heater)
 - approx. 170 VA (device with optional heater)

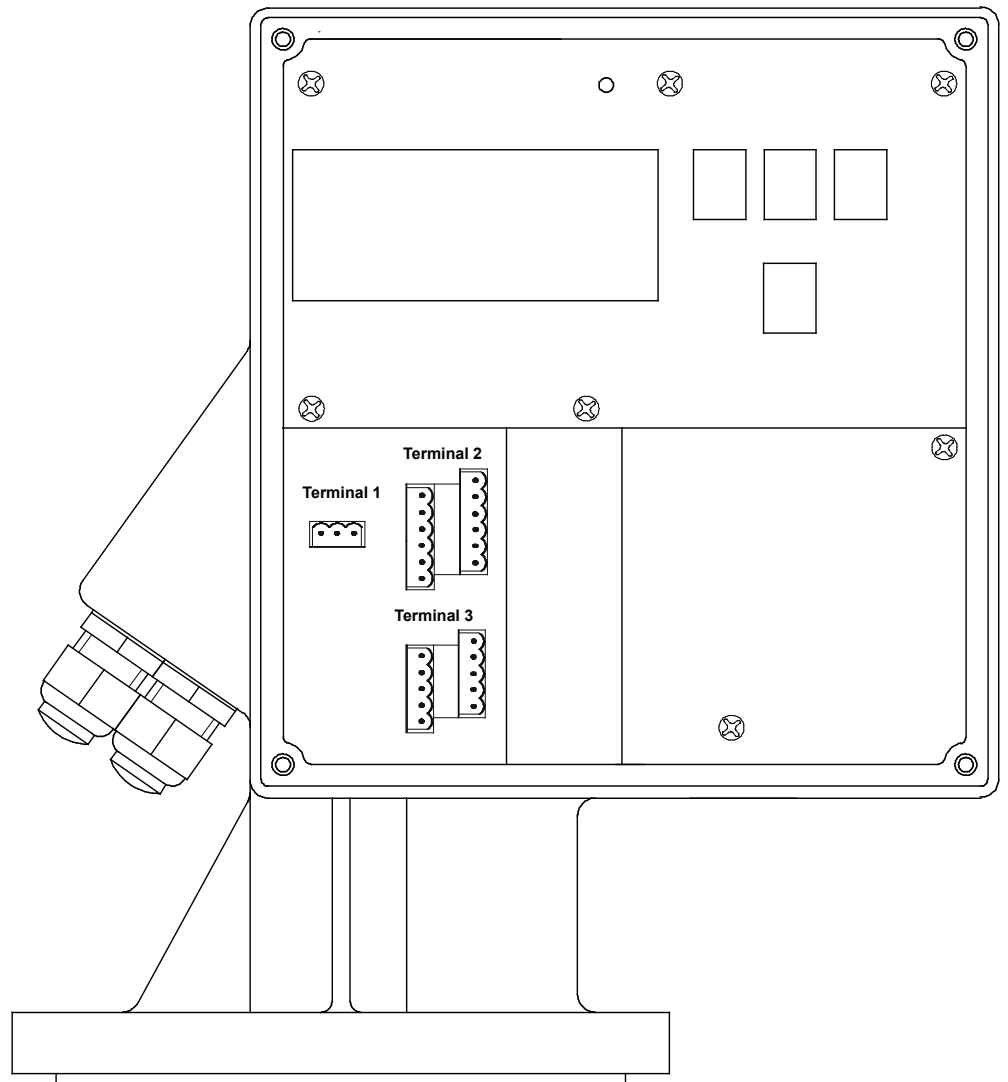
Caution!

The maximum switch-on current of the DC version with optional heater will be 10 A (≤ 2 s).

Cable entry

- M20 x 1.5
- Number: 3
- Cable gland:
 - Material: Plastic
 - Color: gray (for ATEX: black)

Terminal assignment



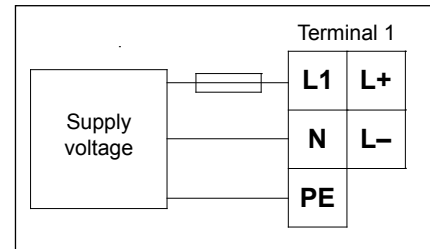
Electrical connection

Supply voltage

The supply voltage (mains voltage) is connected to the plug-in terminals of terminal 1.

The maximum conductor cross-section is 2.5 mm².

A fuse should be fitted to protect the supply voltage against short circuits.

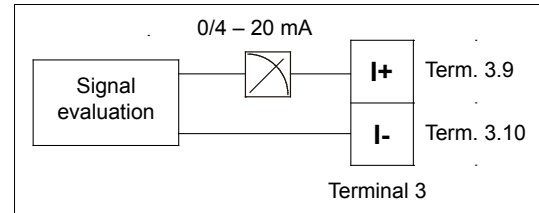


0/4 - 20 mA current output

The active 0/4 - 20 mA current output is connected to the plug-in terminals of terminal 3.

The maximum conductor cross-section is 2.5 mm².

Normal installation cables are sufficient for making the connections.



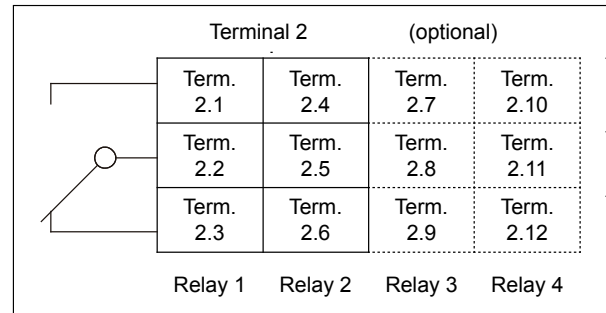
Relay

The connection cables are connected to the plug-in terminals of terminal 2, relay 1 to relay 2 and optionally to relay 4.

The maximum conductor cross-section is 2.5 mm².

Normal installation cables are sufficient for making the connections.

The individual circuits must have a maximum of 6 A fuse protection (see technical data of relay outputs).



Signal inputs

The signal inputs are connected to the plug-in terminals of terminal 3.

The maximum conductor cross-section is 2.5 mm².

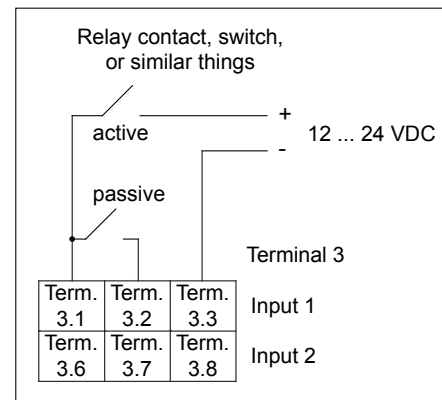
Normal installation cables are sufficient for making the connections.

Active - Input voltage range: 12 - 24 VDC

Passive - Contact load: max. 5 mW

Note on the signal inputs!

The signal inputs (active/passive) can only be used alternatively. A double assignment for input x active and passive is not possible! The minimum start pulse length is 200 ms.



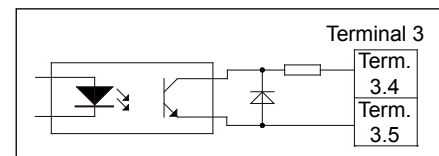
Optocoupler output

(optional when 4 relays are selected)

The connection cables of the optoelectronic coupler output are connected to the plug-in terminals of terminal 3.

The maximum conductor cross-section is 2.5 mm².

Normal installation cables are sufficient for making the connections.



Operating conditions

Sensing weight

Sensing weights (see appropriate section)

Please note the following when selecting the sensing weight:

- The sensing weight must not sink into the product nor be diverted by contact with the product cone during the measuring procedure.
- The sensing weight must be suited to the chemical characteristics of the product and the temperature in the bunker/silo.

Special versions for special applications are available on request.

Mounting location

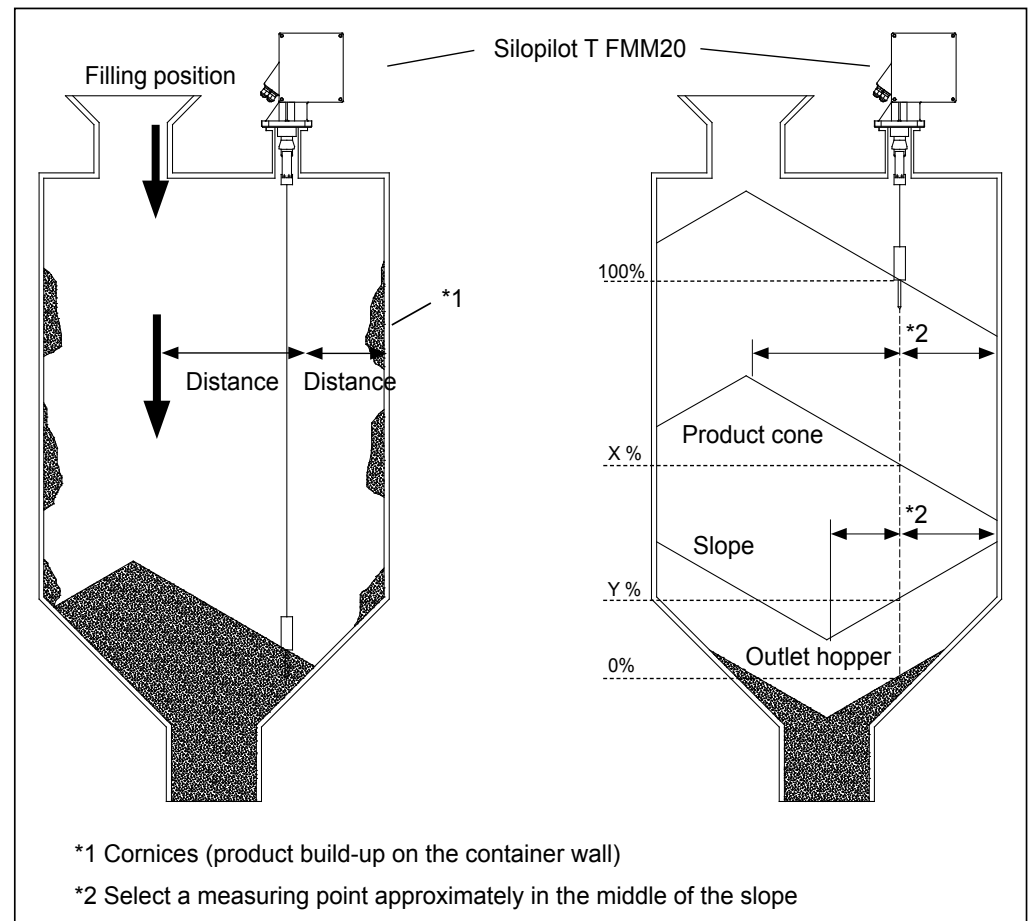
Planning the mounting location

Select the mounting location on the bunker or silo roof in such a way that falling product during filling or collapsing cornices cannot spill the sensing weight and cannot damage the measuring tape.

Observe the shape and the position of the product cone and/or outlet hopper in the container.

The measurement section should not run too close to internals and struts, so that the measuring tape does not touch them when the sensing weight is swinging.

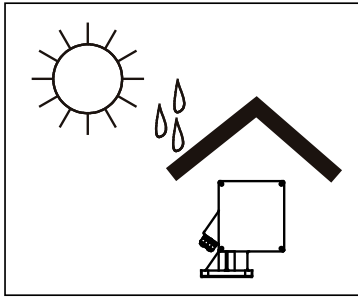
The length of the wiper should be selected in such a way that the sensing weight protrudes out of the mounting connection.



Selecting the mounting location

Installation preparation

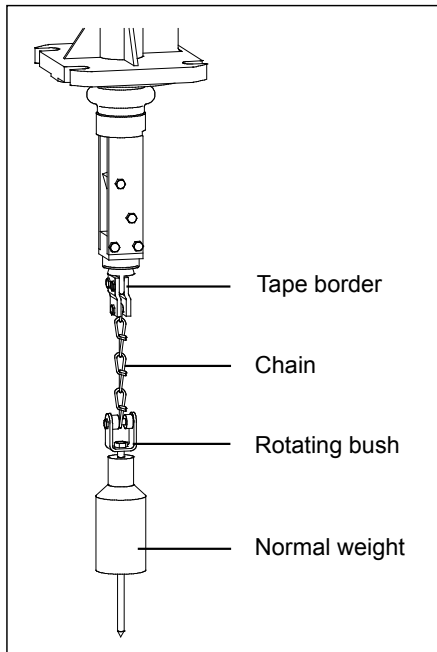
The Silopilot is best mounted on a counter flange DN100 PN16 (connection dimensions acc. to EN 1092-1) or a flange with the same connection dimensions. This counter flange must be exactly horizontal so that the Silopilot can also be mounted horizontally (maximum angle of inclination 2°).



Weather protection

When installing outside, fit the protective hood available as an accessory or mount a weather protection cover.

Mounting the sensing weight

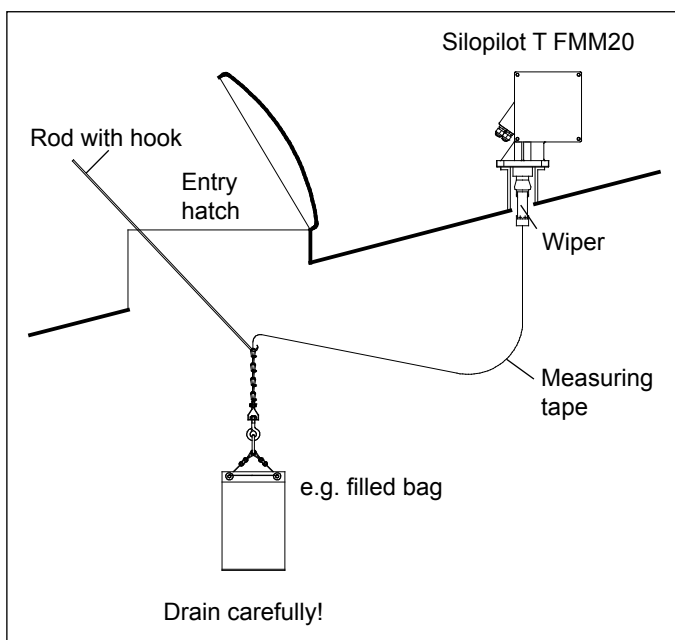


Mounted sensing weight

Normal weights, umbrella weights and bags (see overview in the "Sensing weights" section) can be passed into the bunker or silo via the DN100 mounting flange.

The measuring tape is pressed into the rope or tape border by two M6 screws. A third screw secures the chain. A rotating bush is mounted at the bottom end of the chain to accommodate any turning motion of the sensing weight.

The tape border, chain and rotating bush are made from galvanized steel or stainless steel.



Mounting larger sensing weights

When using larger sensing weights, such as a filled medium bag for example, a point must be present in the design of the bunker or silo where these weights can be installed (see figure).

Please refer to the Operating Instructions for information on mounting!

Mounting the Silopilot

Fit a sealing ring on the flange (particularly if there is overpressure in the bunker/silo). Carefully guide the sensing weight into the bunker/silo.

Now place the Silopilot onto the flange and secure it using four M16 bolts of a suitable length. Please note the following when doing so:

- Install the Silopilot horizontally (see "Installation preparation" section).
- Pay attention to the position of the cable entries for the electrical connection.

When using in bunkers/silos with severe dust emission, you can connect a compressed air line to the mounting flange of the Silopilot to generate a slight overpressure at the Silopilot (air volume as required). A G¼ bore is provided for this purpose (see housing dimensions).

Environment

Ambient temperature at the Silopilot:

- -20 to +60°C
- -40 to +60°C when using the self-regulating device heater, without ATEX certification, or -35 to +60°C when using the self-regulating device heater with ATEX certification

Process

Process temperature:

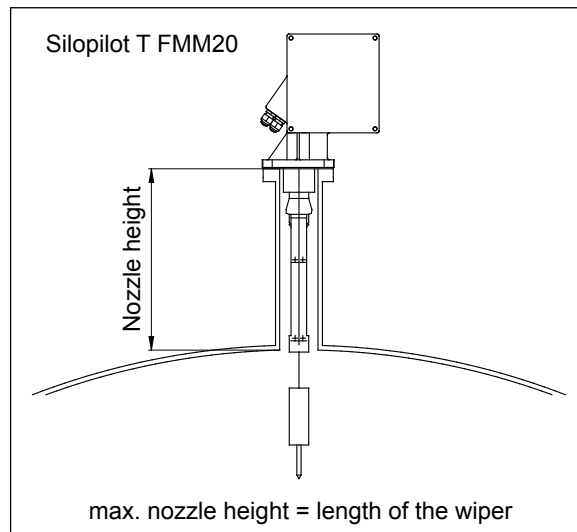
- -20 to +70°C (standard version, version with ATEX certification)
- -20 to +150°C

Line pressure (in bunker/silo):

- 0.8 to 1.1 bar absolute

Note!

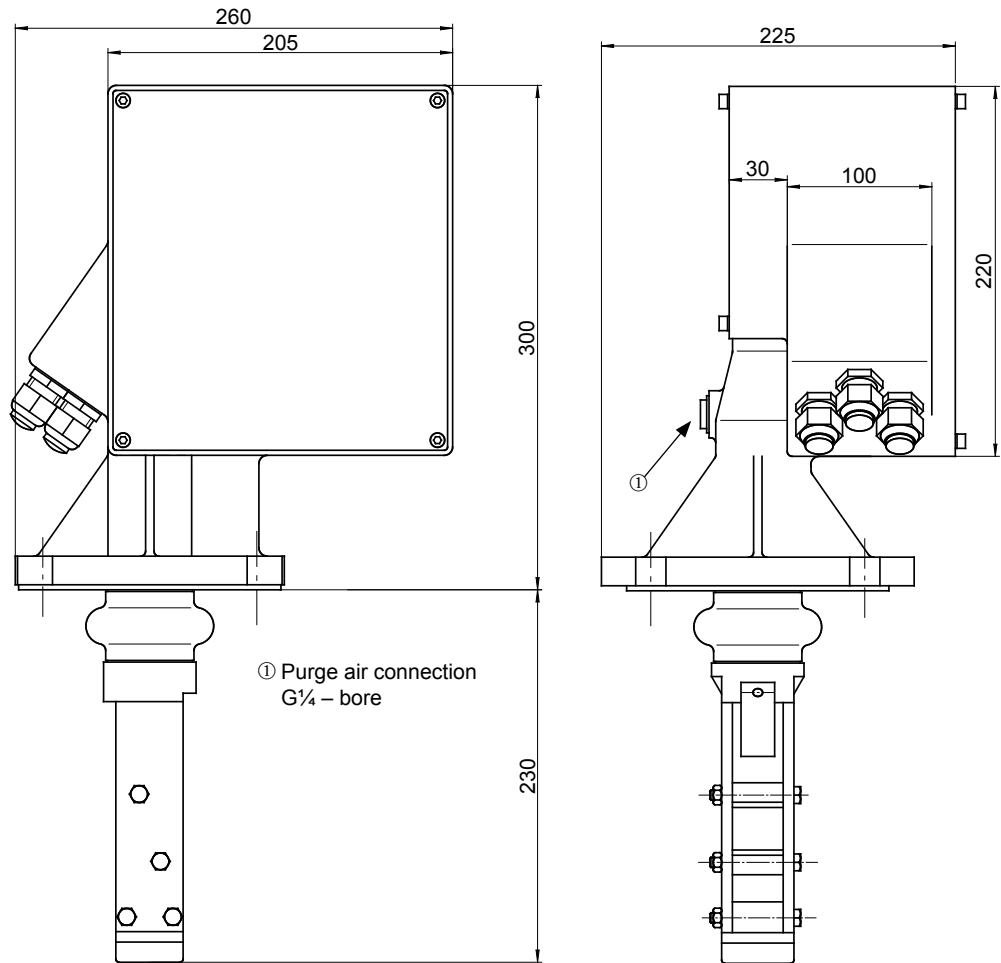
Use a nozzle of 500 mm height with process temperatures from +70°C up to +150°C (**Silopilot T FMM20-*****2****) for a temperature reduction. In this case a wiper length of at least 500 mm must be used.



Mounting with wiper extensions

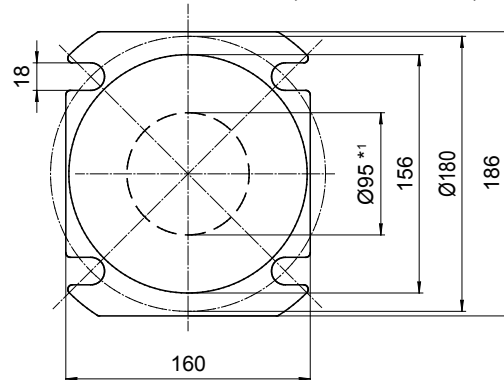
Mechanical construction

Housing dimensions (with standard wiper 230 mm)



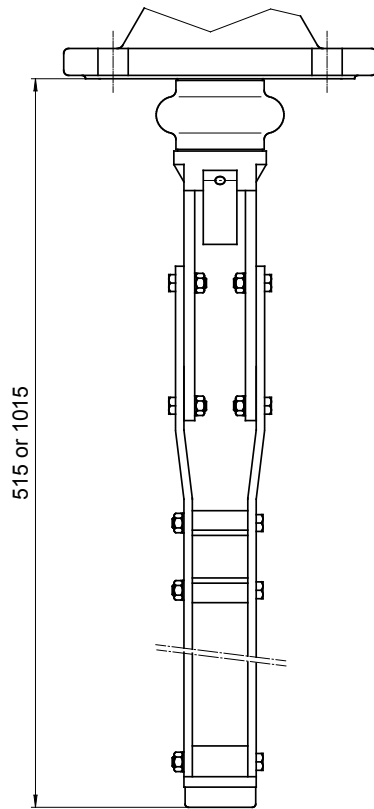
Dimensions of process connection

Hole dimensions DN100 PN16 (acc. to EN 1092-1)

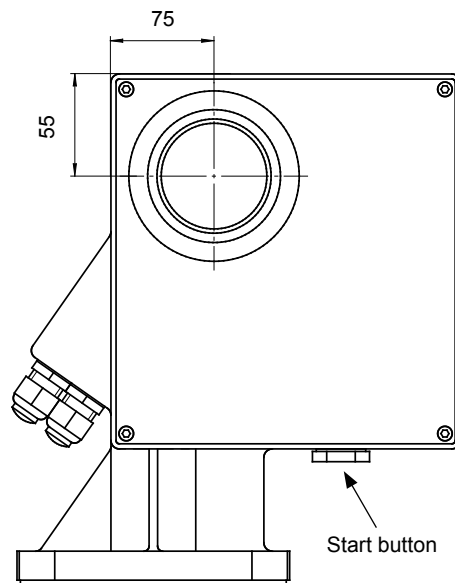


*1 Minimum dimensions for installing the wiper mechanism and standard weight

Dimensions extended wiper



Dimensions of optional window and external start button



Sensing weights

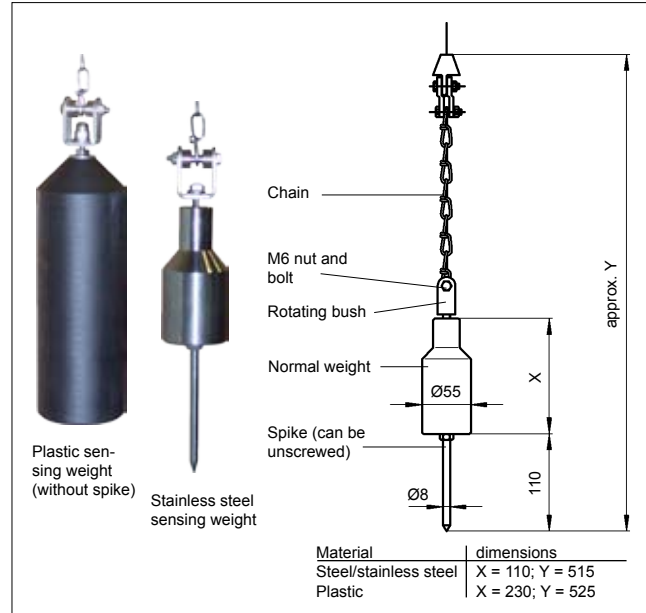
Selection recommendation

You should note the following when selecting the sensing weight:

- The sensing weight must not sink into the product nor be diverted by contact with the product cone during the measuring procedure.
- The sensing weight must be suited to the chemical characteristics of the product and the temperature in the bunker/silo.

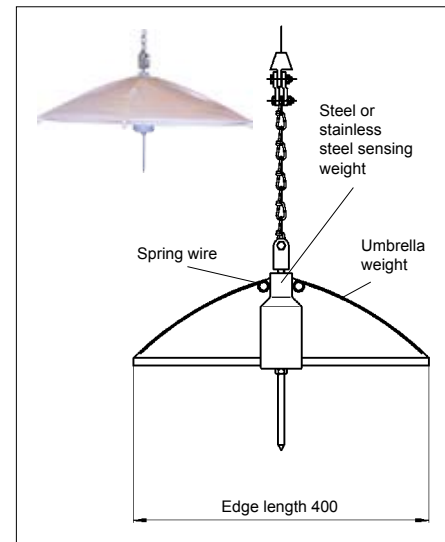
Normal weight (option B/C/N)

- Application:
For granules and compressed bulk solids.
- The spike can be removed (plastic sensing weight without spike).
- If a crushing or milling system is down-stream from the silo, we recommend using the electrical signal function "rope/tape breakage" to avoid damaging the system in the event of the sensing weight breaking free.
- Materials:
Steel, stainless steel (316TI) or plastic
- Maximum permitted temperature:
- Steel or stainless steel 150°C
- Plastic 70°C
- Use of the plastic sensing weight is not permitted in the "dust ignition-proof" version
- Weight:
1.5 kg



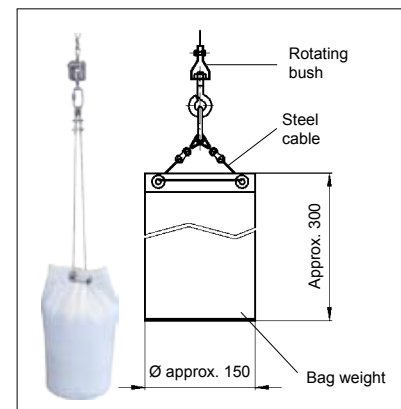
Umbrella weight (option D/E)

- Application:
For very light and loose bulk solids, e.g. flour or coal-dust.
- The umbrella weight has a large square surface area which prevents it from sinking deeply into the product.
- When folded closed, the weight can be passed into the bunker via the mounting flange DN100.
- Maximum permitted temperature:
150°C
- Materials:
- Steel or stainless steel (316TI)
- Polyester
- Weight:
1.5 kg



Bag weight (option G)

- Application:
In bunkers where mills are located downstream.
- The bag contains whichever product is contained within the bunker.
- Maximum permitted temperature:
150°C
- Materials:
Polyester, all metal parts made of stainless steel (316)
- Weight:
- 0.25 kg (empty)
- 1.50 kg (with filling)
- Bind the bag closed at the top so that the contents cannot fall out if the bag tips over on the slope of a product cone.



Controls and instrumentation

Control concept

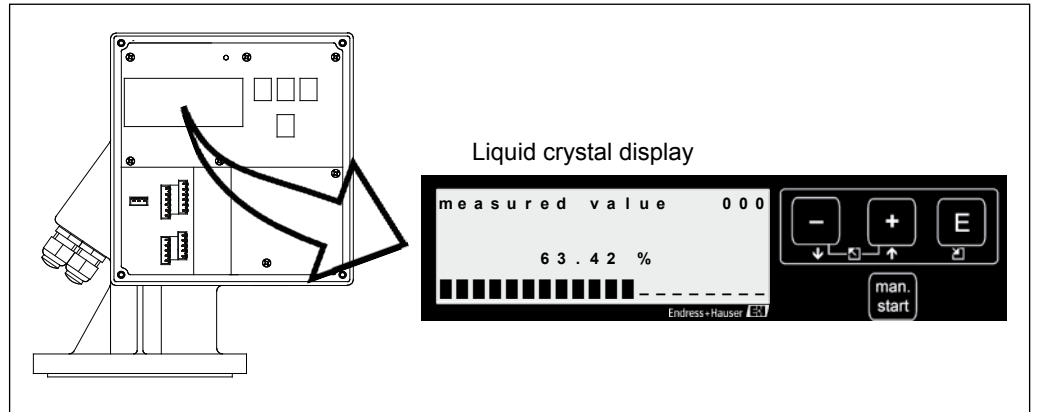
The Silopilot is configured onsite by means of a large 4-line plain text display which can also show the current measured value.

Menu guidance with integrated help text offers quick and safe commissioning.

Display elements

Liquid crystal display (LC display)

- Four-line
- 20 characters per line
- Display contrast can be set via key combination



Controls and instrumentation






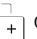


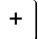

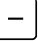

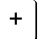

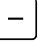

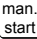
Operating elements

The operating elements are located within the housing (exception: optional start button, can be operated from outside) and can be operated once the electronics cover is opened.



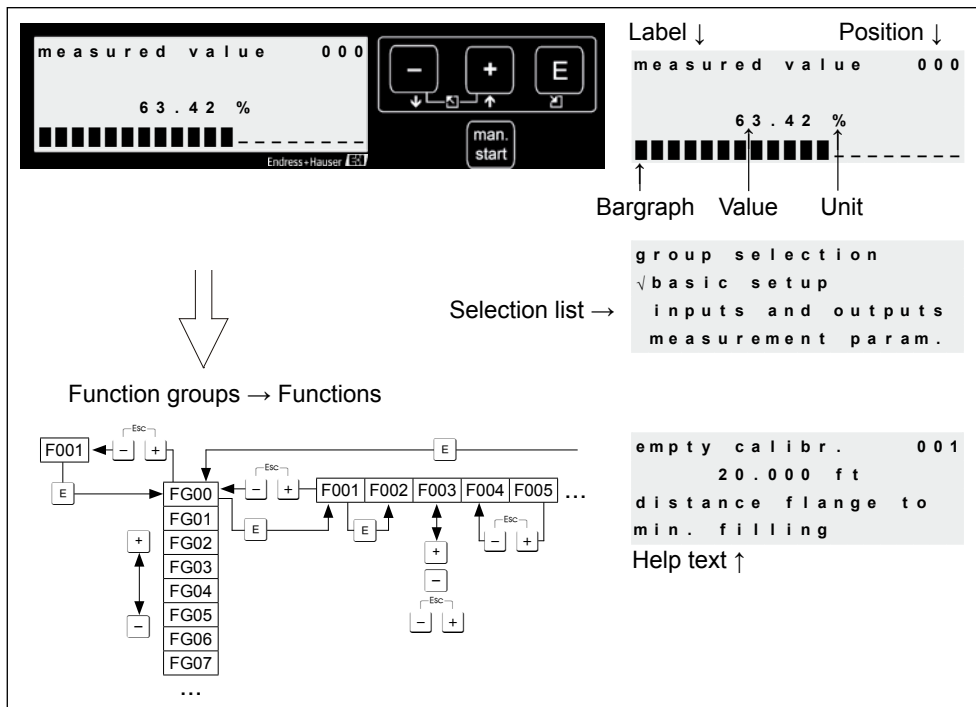
*The Silopilot can only be operated in the hazardous area with the covers closed!
The system must be adjusted to the tank geometry before the first measurement procedure to avoid damage to the conveyor elements.*

Function of buttons

Button(s)	Meaning
 or 	- Upwards navigation in the selection list - Edit the numerical values within a function
 or 	- Downwards navigation in the selection list - Edit the numerical values within a function
  or 	- Navigation to the left within a function group
	- Navigation to the right within a function group - Confirmation
 and  or  and 	Contrast setting for liquid crystal display -  and  increases the contrast -  and  reduces the contrast
	- Starts measurement process (provided that the Silopilot is in the measured value display function)

Local operation

With the help of the LC display, the configuration can be carried out using 3 buttons directly at the Silopilot. All device functions can be set by means of a menu-guided control system. The menu consists of function groups and functions. Application parameters can be read or set in the functions. When doing so, the user is guided through the complete commissioning procedure.



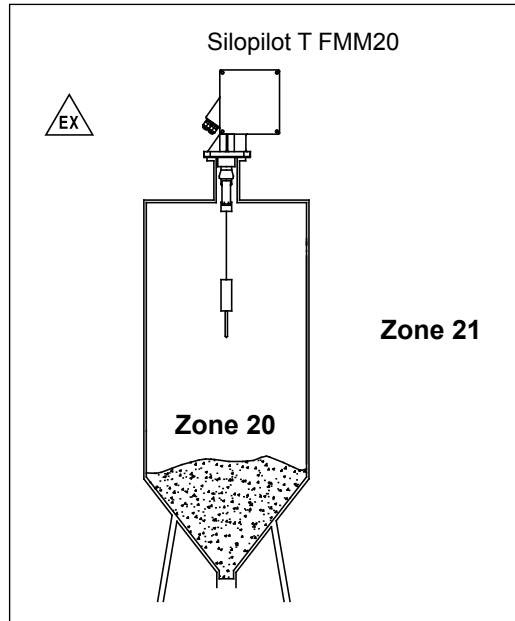
Local operation

Safety instructions

- Features of the ATEX version**
- Labeling:
⊕ II 1/2D IP67 T99°C
 - Certification number:
BVS 05 ATEX E 049
-

- Designated use**
- The Silopilot T FMM20 can only be operated in the hazardous area with the housing closed.
 - The Silopilot T FMM20 approved to ATEX may only be repaired by the manufacturer.
 - The requirements laid down in EN 50281-1-2, for example relating to dust deposits and temperatures, must be observed.
-

Installation instructions



Installation instructions (ATEX)

For details refer to XA425F-A/97/a3.

Ordering information

Ordering information for Silopilot T FMM20

10	Approval:		
	A	Non-hazardous area	
	B	ATEX II 1/2D IP67 T99°C	
	Y	Special version, to be specified	
20	Housing:		
	1	Aluminum	
	2	Aluminum, coated	
	9	Special version, to be specified	
30	Measurement range:		
	4	15 m, tape, stainless steel (301, modified)	
	5	32 m, tape, stainless steel (301, modified)	
	9	Special version, to be specified	
40	Max. connection height; wiper:		
	A	230 mm, aluminum/steel	
	B	230 mm, stainless steel (304)	
	C	500 mm, aluminum/steel	
	D	500 mm, stainless steel (304)	
	E	1000 mm, aluminum/steel	
	F	1000 mm, stainless steel (304)	
	Y	Special version, to be specified	
50	Power supply:		
	1	90 - 253 VAC, 50/60 Hz	
	3	20 - 28 VDC	
	9	Special version, to be specified	
60	Output:		
	A	0/4 - 20 mA + 2x relay, adjustable	
	C	0/4 - 20 mA + 4x relay, adjustable	
		Relay function: counting pulse, reset pulse, maintenance, run-up, upper limit position, alarm or measurement active	
	Y	Special version, to be specified	
70	Ambient temperature:		
	D	Range -20 to +60°C	
	E	Range -40 to +60°C + heating (ATEX II 1/2D min. -35°C)	
	F	Range -20 to +60°C + extended climate resistance	
	Y	Special version, to be specified	

Ordering information for Silopilot T FMM20, continued

80	Process temperature:
	1 Range -20 to +70°C
	2 Range -20 to +150°C
	9 Special version, to be specified
90	Sensing weight:
	A none
	B Steel
	C Stainless steel (316TI)
	D Steel + umbrella
	E Stainless steel (316TI) + umbrella
	G Medium bag
	N Plastic
	Y Special version, to be specified
100	Additional equipment:
	1 Basic version
	2 Window + start push button, extern
	9 Special version, to be specified

FMM20- Product designation

Information on product overview

The following restrictions apply to devices with ATEX approval:

- **Ambient temperature (70), option E:** min. -35°C
- **Process temperature (80):** only (1)
- **Sensing weights (90):** only (A) to (G)
- **Additional fittings (100):** only (1)

Other restrictions:

- **Ambient temperature (70), option F:** only in conjunction with coated housing
- **Process temperature (80), option 2:** only sensing weight (A) to (G)
- **Process temperature (80), option 2:** only wiper (C) to (F)

User-specific settings

All settings of the Silopilot T FMM20 can optionally be preset at the factory according to the customers requirements. When ordering, chose the relevant unit type (FMM20-*****9) and complete the form "**User-specific settings**" (ad048000en, preprint see next page), which has to accompany the order.

User-specific settings



People for Process Automation

The order option for Silopilot T FMM20 with user-specific settings requires that all necessary parameters and options are mentioned. Wherever informations are missing, default values will be used. This completed form must be supplied with every order.

Order code: **FMM20** -

--	--	--	--	--	--	--	--	--	--

Settings basic setup, display and system parameters

001 empty calibr. _____ m/ft/in	003 full calibration _____ m/ft/in	020 measurem. type <input type="checkbox"/> single cycle <input type="checkbox"/> periodical	021 time interval _____ [022]	022 time unit <input type="checkbox"/> h <input type="checkbox"/> min.	023 normal or short <input type="checkbox"/> normal <input type="checkbox"/> short
024 service interval _____	060 language <input type="checkbox"/> English <input type="checkbox"/> Deutsch <input type="checkbox"/> Français <input type="checkbox"/> ニホソゴ	061 back to home _____ s (default: 100)	062 no. of decimals <input type="checkbox"/> X <input type="checkbox"/> X.X <input type="checkbox"/> X.XX <input type="checkbox"/> X.XXX	080 tag no. _____ (max. 16 digits)	083 distance unit <input type="checkbox"/> m <input type="checkbox"/> ft <input type="checkbox"/> in

Settings inputs and current output

010 input 1 <input type="checkbox"/> not used <input type="checkbox"/> bolting <input type="checkbox"/> start measurement	012 input 2 <input type="checkbox"/> not used <input type="checkbox"/> bolting <input type="checkbox"/> start measurement	033 current range <input type="checkbox"/> 4-20 mA <input type="checkbox"/> 0-20 mA
---	---	--

Settings relay outputs

014 relay 1 <input type="checkbox"/> alarm <input type="checkbox"/> service interval <input type="checkbox"/> counter pulses <input type="checkbox"/> reset pulse <input type="checkbox"/> running up <input type="checkbox"/> top position <input type="checkbox"/> measuring	01A relay 2 <input type="checkbox"/> alarm <input type="checkbox"/> service interval <input type="checkbox"/> counter pulses <input type="checkbox"/> reset pulse <input type="checkbox"/> running up <input type="checkbox"/> top position <input type="checkbox"/> measuring	01B relay 3 <input type="checkbox"/> alarm <input type="checkbox"/> service interval <input type="checkbox"/> counter pulses <input type="checkbox"/> reset pulse <input type="checkbox"/> running up <input type="checkbox"/> top position <input type="checkbox"/> measuring	01C relay 4 <input type="checkbox"/> alarm <input type="checkbox"/> service interval <input type="checkbox"/> counter pulses <input type="checkbox"/> reset pulse <input type="checkbox"/> running up <input type="checkbox"/> top position <input type="checkbox"/> measuring
015 pulse value _____ (default: 1)	016 pulse length _____ ms (default: 50)	019 reset pulse _____ ms (default: 300)	

Safety settings and linearization

040 output on alarm <input type="checkbox"/> MIN (0/3.6mA) <input type="checkbox"/> MAX (22mA) <input type="checkbox"/> hold <input type="checkbox"/> user-specific	041 output on alarm _____ mA	042 safety distance _____ [083]	043 security distance _____ [083]	044 in security distance <input type="checkbox"/> warning <input type="checkbox"/> alarm
045 in safety distance <input type="checkbox"/> warning <input type="checkbox"/> alarm	050 level/volume <input type="checkbox"/> level CU <input type="checkbox"/> ullage CU <input type="checkbox"/> level DU <input type="checkbox"/> ullage DU	056 customer unit <input type="checkbox"/> % <input type="checkbox"/> ft³ <input type="checkbox"/> kg <input type="checkbox"/> m <input type="checkbox"/> t <input type="checkbox"/> ft <input type="checkbox"/> m³ <input type="checkbox"/> in	057 max. scale _____ [056]	

Note:

- The bold marked options are the default values.
- Settings like " _____ [123]" relate to the option you select in function 123.

ad048000en01.07

Technical data

Mechanical

- Weight:
approx. 10 kg without sensing weight or
approx. 11.5 kg with sensing weight
- Housing:
Material: Aluminum
Optional coating (RAL 5012, cover RAL 7035)
- Wiper:
Material: aluminum/steel or stainless steel (304)
- Ambient temperature range:
-20 to +60°C standard version
-40 to +60°C with self-regulating heater, without ATEX certification
-35 to +60°C with self-regulating heater, with ATEX certification
- Dimensions of standard version [mm]:
300 x 260 x 225 [HxBxD]
- Measuring tape
 - Material: stainless steel (301, modified)
 - Dimensions: 12 x 0.2 mm
 - Length: max. 32 m
- Traction power:
max. 150 N
- Tape run-off speed:
 - min. 0.16 m/s
 - max. 0.25 m/s
- Degree of protection:
IP67 as per EN 60529
- Angle of inclination:
max. 2°

Electrical

- AC version
 - Voltage: 90 - 253 VAC, 50/60 Hz
 - Power consumption:
 - approx. 150 VA (device without heater)
 - approx. 170 VA (device with optional heater)
- DC version
 - Voltage: 20 - 28 VDC
 - Power consumption:
 - approx. 150 VA (device without heater)
 - approx. 170 VA (device with optional heater)
- Inputs:
 - active: input voltage range 12 - 24 VDC
 - passive: contact load max. 5 mW
 - Start pulse length: min. 200 ms
- Outputs:
 - Current output 0/4 - 20 mA, active
 - Relay outputs, max. 250 VAC / 6 A
 - Optocoupler output (optional when 4 relays are selected), max. 30 VDC / 10 mA
- Terminals:
 - max. 2.5 mm²

Certificates and approvals

CE mark

The Silopilot T FMM20 device meets the statutory requirements of the EC Directives. By applying the CE mark, Endress+Hauser confirms that the device has passed the necessary tests.

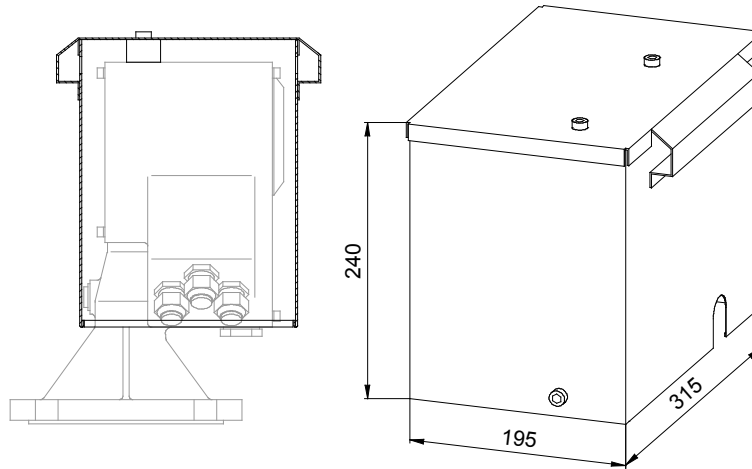
Other standards and guidelines

- **EN 60529**
 - Degrees of protection through housing (IP code)
- **EN 61010-1**
 - Protection measures for electrical equipment for measurement, control, regulation and laboratory procedures
- **EN 61326**
 - Interference emission (Class B equipment) and interference immunity (Appendix A - Industry)
- **EN 50281-1-1**
 - Electrical equipment for use in areas with combustible dust
- **Directive 89/336/EEC**
 - EMC Guideline
- **Directive 94/9/EC**
 - ATEX Guideline

Accessories

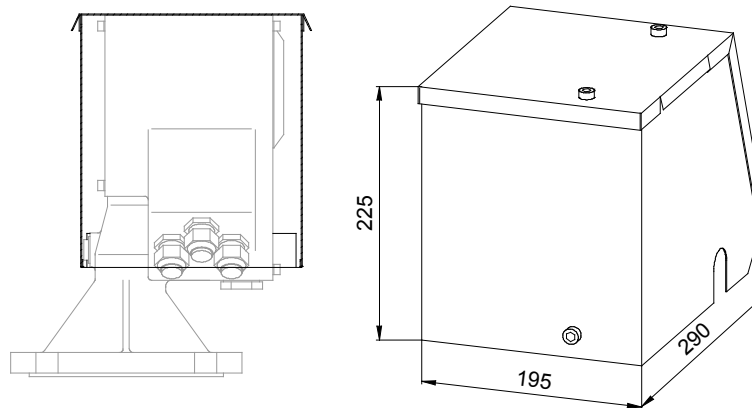
The following accessories are available for the electromechanical level system Silopilot T FMM20:

■ Stainless steel protective hood



- Order No.: 71028956
- Material: stainless steel 304 (1.4301)
- The delivery contains suitable mounting screws.

■ Aluminium protective hood



- Order No.: 71075962
- Material: aluminium
- The delivery contains suitable mounting screws.

Documentation

Operating Instructions

Silopilot T FMM20

Operating Instructions for Silopilot T FMM20, BA334F/97/en

Safety Instructions

Silopilot T FMM20 / Silopilot M FMM50

Safety Instructions for electrical apparatus for explosion-hazardous areas, XA425F-A/97/a3

Subject to modification

广州麦图流体工业设备有限公司
MaituFlow Guangzhou Industrial Equipment Co., Ltd

地址：广州市海珠区工业大道中270号203房

电话：020-61196733

传真：020-61139117

邮箱：13826157744@163.com

网址：<http://www.MaituFlow.com>

Endress+Hauser 
People for Process Automation